

# Nauticam Full Frame Viewfinders

Straight Viewfinder 32° / 1:1

PN 32211

## User Manual

Underwater Optics

Introduction	2
Package Contents	2
Important Instructions	3
Part Names	4
Installing the Viewfinder	5
Viewfinder Collar Adaptor	6
Care/Storage	7
Warranty	8
Specification	9

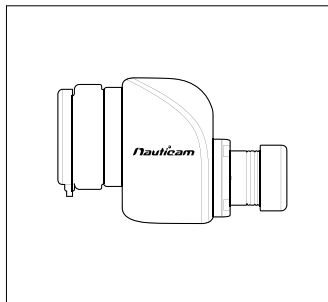
# INTRODUCTION

Thank you for purchasing this Nauticam product.

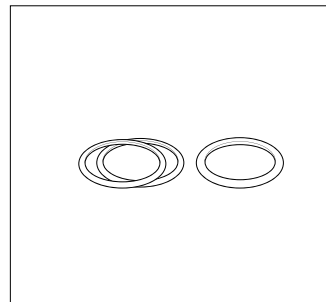
Before using the product, please read this manual thoroughly to familiarize yourself with full scope of functions on the product as well as ensuring that you will use the product correctly.

# PACKAGE CONTENTS

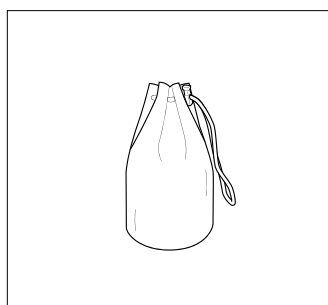
Make sure that you have all the included items listed below before using this product. If some items are missing or damaged, contact your local Nauticam dealer.



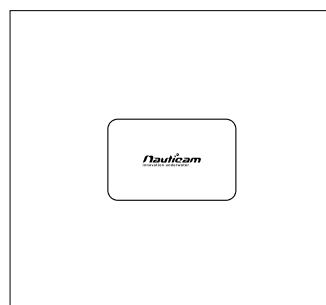
Straight Viewfinder 32° / 1:1  
(with front and rear covers)



Spare O-rings x 3



Neoprene Bag



Manual Instruction Card

After purchase, we suggest that you reuse all packaging materials for future travelling.

# IMPORTANT INSTRUCTIONS

1

Water-tight test of the housing (without camera inside) along with the viewfinder before usage is recommended.

2

Do not use any kind of abrasive solution to clean the glass surfaces.

3

Use only Nauticam lubricant on silicone rubber O-ring. Do not stretch any O-rings excessively. Only remove it using Nauticam O-ring remover.

4

Do not expose the housing setup in direct sunlight for a prolonged period.

5

Do not sealed the housing system when travelling by air.

6

Defective products should be shipped to our distributors for service. Do not attempt to disassemble and /or modify any part of the lens.

7

Do not open the housing system in wet or sandy environment. Protect the housing and lenses from moisture and debris in order to prevent malfunction or leakage.

8

Prevent any sand or dust or water penetration inside the housing and in between lenses. Be extra careful when changing lens and inserting or removing the camera.

9

The housing setup should be positioned on the a stable and safe surface on land.

10

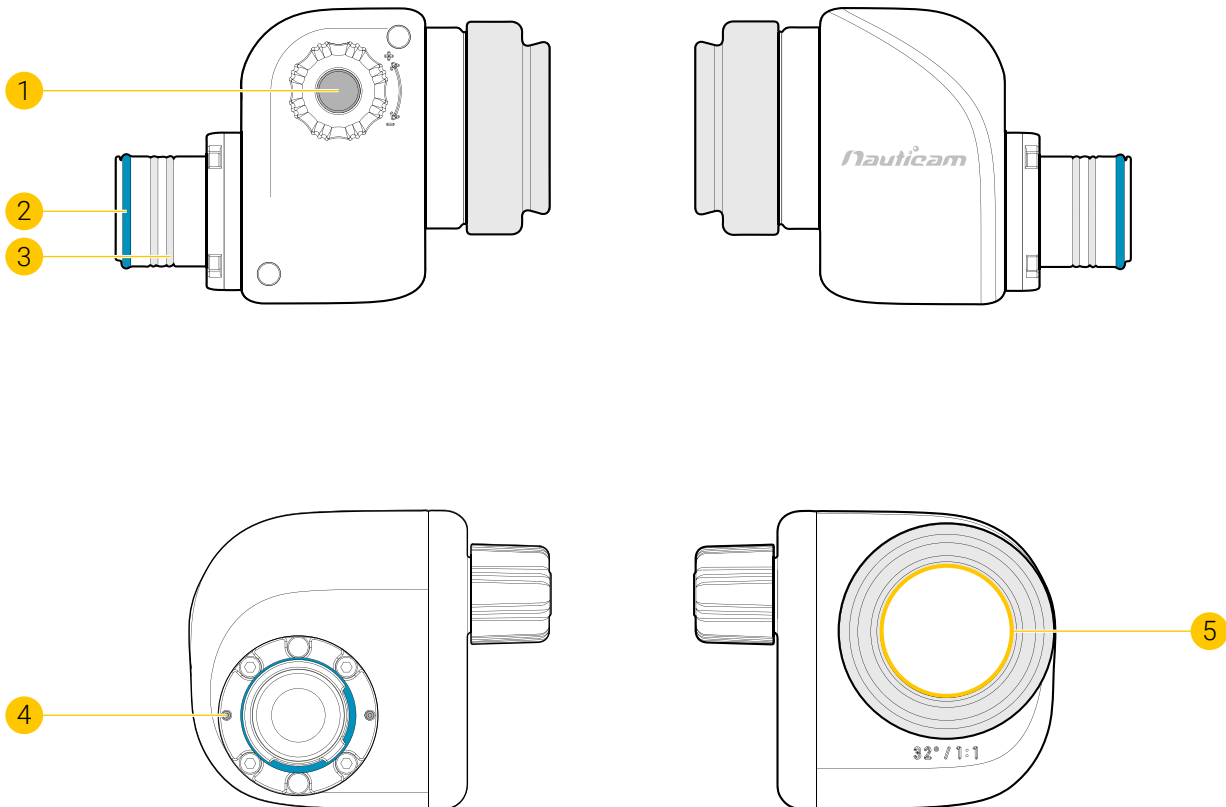
Do not jump in water carrying the housing setup. Always have the setup handed to you when you are in water.



11

This product is not intened for use by children, or persons with reduced physical, sensory or mental capabilities, or lack of experience and knowledge, unless they are supervised and/ or given instruction by a responsible person concerning use of the product to ensure that they can use it safely.

# PART NAMES AND FUNCTIONS



1 Dioptic adjustment knob

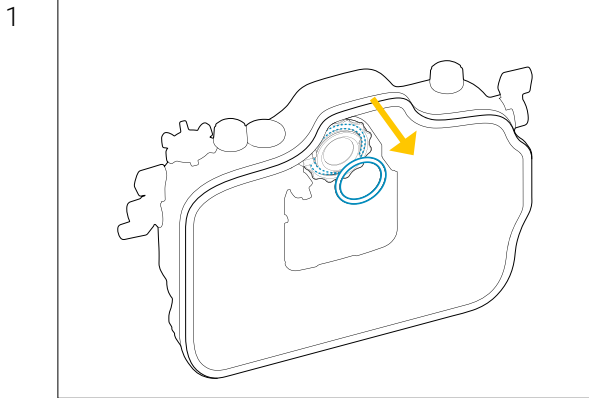
3 Sealing O-ring

5 Eyepiece

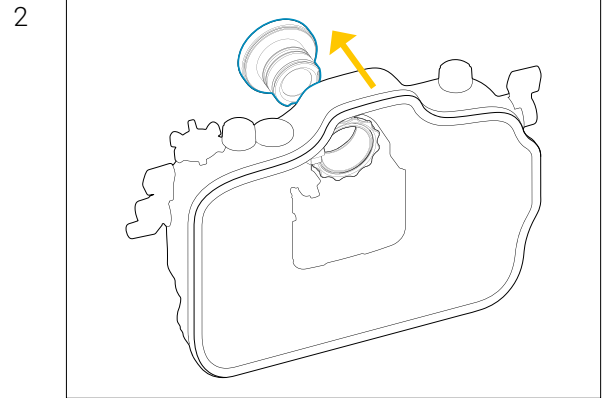
2 Retainer O-ring

4 Alignment pins

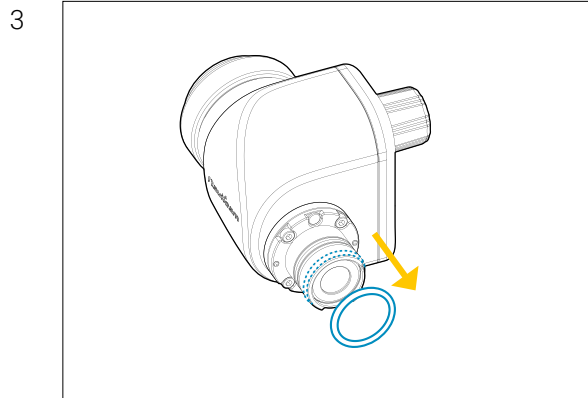
# INSTALLING THE VIEWFINDER



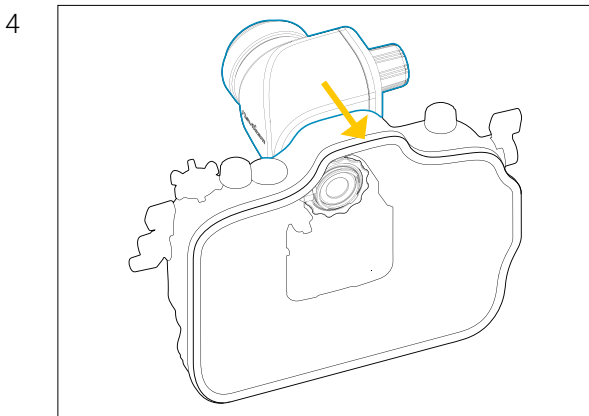
firstly remove the pre-installed 0.66x viewfinder from the housing by removing the retainer o-ring inside rear housing



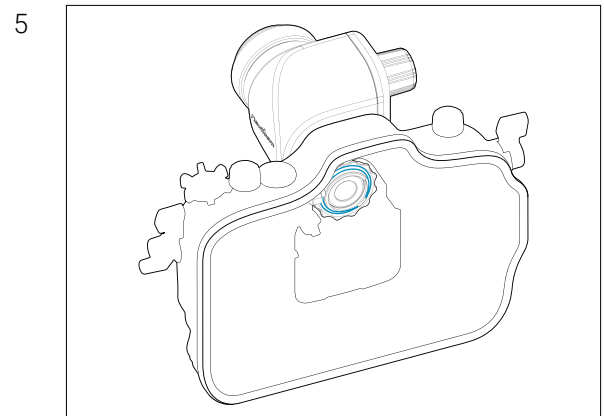
gently push the 0.66x viewfinder from the inside of the housing



remove the retainer o-ring from the viewfinder



align the viewfinder alignment pins with the LCD display window and push the viewfinder into the housing until it cannot go in any further



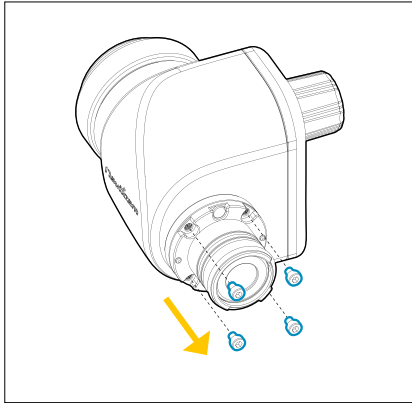
lightly lubricate the retainer o-ring and place it back from inside the housing

# VIEWFINDER COLLAR ADAPTOR

\* drawings as illustrations only

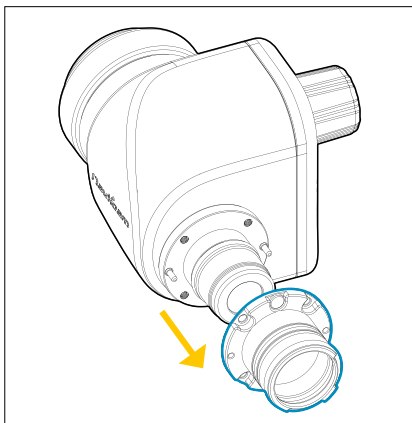
To Use with MIL Housings

1

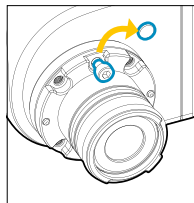


remove the four screws from viewfinder body

2

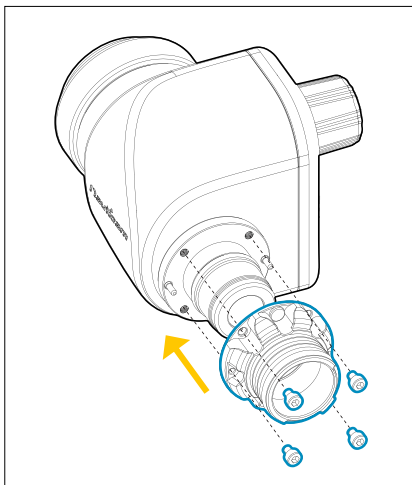


take out the collar



\* if you are experiencing difficulties taking out the collar, please try this additional procedure  
- firstly take away the screw cap cover  
- then take out the collar as you screw in one screw into the hole

3



replace with #32215 Viewfinder collar adaptor for 32211/2/3/4/ to use with MIL housings

screw back the four screws onto the viewfinder body

## CARE/STORAGE

1

Soak the housing system along with the viewfinder in fresh water after salt water usage

2

Operate all controls and buttons at least 3 times while immersed in fresh water

3

We recommend cleaning and inspecting the main O-ring each time after diving for any damage and every time the housing is opened.

4

Protect the housing and lenses with robust and shock-proof travel case during transportation. Do not travel with camera inside housing.

5

We recommend to ship the housing to our service centers for a complete overhaul after 200 dives/every 2 years.

# WARRANTY

All NAUTICAM Housing Products and Viewfinders are warranted against any material and manufacturing defects for two years from the date of purchase for consumer use. NAUTICAM Optical Accessories are warranted against material and manufacturing defects for a period of one year, and HDMI cables carry a year warranty.

This warranty only applies to products purchased from authorized NAUTICAM dealers and does not extend beyond the original retail purchaser.

To return your product for service, please contact your regional authorized service center(s). Please note that this warranty only applies when the product is purchased in the territory where the service center is located.

NAUTICAM accepts no liability for any damage to and defects in the housing caused by improper use and/or poor maintenance; it is the responsibility of the owner to carefully follow the instructions in our manuals.

NAUTICAM does not hold responsibility for damage, of any nature, to any equipment used with and/or placed within our products.

NAUTICAM accepts no liability for any loss of captured images or the inability to capture images even if it is due to the malfunctioning of our products.

Unauthorized modifications and/or repairs of our products will automatically invalidate the warranty.



# SPECIFICATIONS

## Construction

Body	Hard Anodized Aluminium Alloy
Lens	12 Elements in 9 groups with enhanced multi-layer anti-reflective coating

## Dimensions

Width	90 mm
Height	75 mm
Depth	110 mm

## Weight

In air	0.62 kg
Buoyancy in water	negative 0.33 kg

## Depth

Rating	150 m
--------	-------

## Magnification Ratio (compared to camera viewfinder)

1 : 1
-------

## Dioptric Adjustment Range

-3 to +3
----------

## Recommended Compatibility

### All DSLR Housings

#### Full Frame Mirrorless Housings

Canon	NA-R5
	NA-R6
	NA-R
Nikon	NA-Z7II
Sony	NA-Q 2020
	NA-A7IV
	NA-A7RIII
Panasonic	NA-S1R
	NA-S1H

### Mirrorless Housings via #32215 Viewfinder Collar Adaptor

Sony	NA-A7C
	NA-A6600
	NA-A6500
	NA-A6400
Olympus	NA-EM1III
	NA-EM10IV
	NA-EM1II
Fujifilm	NA-XH1
Panasonic	NA-GH5SV
Canon	NA-EOSM50II

**Nauticam Internationl Ltd.**

Rm 2203, CCT Telecom Bldg,  
11 Wo Shing St,  
Fo Tan,  
Hong Kong

Tel. +852 - 26902711  
Fax. +852 - 26909778  
URL. [www.nauticam.com](http://www.nauticam.com)  
Gallery. [www.nauticam.smugmug.com](http://www.nauticam.smugmug.com)